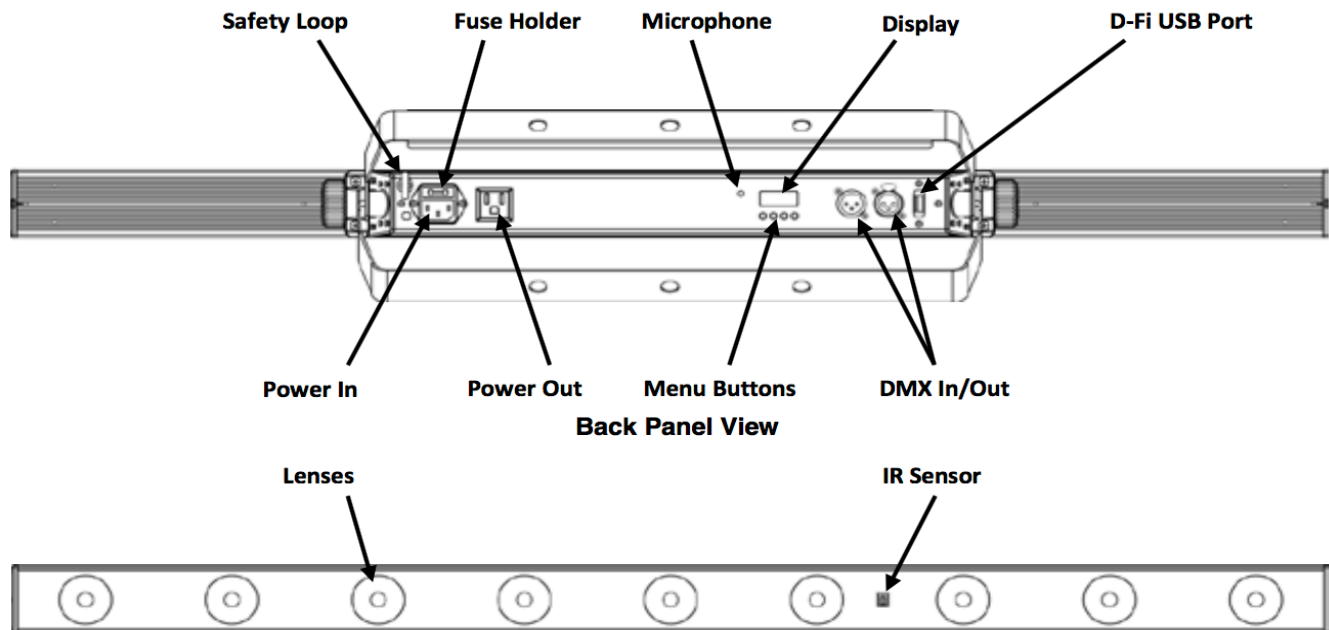


Product Overview



Static Color Setting:

- 1 – Turn on COLORband H9 and repeatedly press **Menu** until **C--** is on the screen. Press **Enter**
- 2 – Scroll **UP** and **Down** to select the desired color (C 1 – C 63). Press **Enter**

Custom Color Mixing Setting:

- 1 – Turn on COLORband H9 and repeatedly press **Menu** until **U--** is on the screen. Press **Enter**
- 2 – First color will appear. Scroll **UP** and **Down** to desired value (1 - 255). Press **Enter**
- 3 – Second color will appear. Scroll **UP** and **Down** to desired value (1 - 255). Press **Enter**
- 4 – Continue selecting levels for R, G, B, A, W, and UV until all are set as desired. Press **Enter** to save.

Technical Specifications:

- 7 pounds per unit (without clamps or cable)
- 100 to 240 vac – Auto ranging
- 77 Watts each
- IEC to standard Edison
- 9 RGBAW+UV LED diodes
- Max operating temperature of 104°F
- 3-pin XLR connection

Control Panel Operation To access the control panel functions, use the four buttons located underneath the display.

Button	Function
< MENU >	Press to find an operation mode or to back out of the current menu option
<UP >	Press to scroll up the list of options or to find a higher value
<DOWN>	Press to scroll down the list of options or to find a lower value
<ENTER>	Press to activate a menu option or a selected value

The **Menu Map** outlines the functions available through the menu, the programming levels that can be entered, and a description of each function.

Main Levels	Programming Levels		Description
DMX Personality and Starting Address	6-CH	d 1 – d 512	6-channel DMX mode
	9-CH	d 1 – d 512	9-channel DMX mode
	11-CH	d 1 – d 512	11-channel DMX mode
	18-CH	d 1 – d 512	18-channel DMX mode
	23-CH	d 1 – d 512	23-channel DMX mode
Static Colors	C--	C 1 – C 63	Selects 1 of 63 static colors
Auto Programs	P--	P 1 – P 14	Selects 1 of 14 automatic programs
Program Speed	S--	S 1 – S 100	Sets auto program speed (slow to fast)
Sound-Active	Snd		Selects Sound-Active mode
Sound Sensitivity	SenS	u 0 – u 100	Sets sound sensitivity (low to high)
Custom Color Mixing	U--	r 0 – r 255	Red (0–100%)
		g 0 – g 255	Green (0–100%)
		b 0 – b 255	Blue (0–100%)
		A 0 – A 255	Amber (0–100%)
		W 0 – W 255	White (0–100%)
		P 0 – P 255	UV (0–100%)
Dimmer	dIM	OFF	Sets the dimming speed mode: dIM1 (fast) to dIM3 (slow), or OFF
		dIM1	
		dIM2	
		dIM3	
Infrared	SET	On	Turns infrared on or off
		OFF	
Temperature	TEMP	--	Displays the current unit temperature